

# ATX™ PRE Series 125 Amp Plugs and Sockets

## Increased Safety

**ATEX:**  
Zone 1 and 2 - 21 and 22  
II 2 GD  
IP66 - IK10

### Applications

- Plugs and sockets are used with stationary or portable electrically operated devices such as:
  - Welding devices
  - Lighting systems
  - Conveyors
  - Heaters
  - Motor generator sets
  - Air conditioning
  - Compressors
  - Pumps
- For use in corrosive atmospheres and installations in Zones 1, and 2 and 21 and 22 of oil and gas industry, such as
  - Refineries
  - Chemical and petrochemical plants
  - Pipelines
  - Onshore and offshore drilling platforms

### Features

- Positive polarization: only ATX plugs of same style, number of poles and ampere rating may be used with these sockets.
- Interlocked 3-pole or 4-pole Ex de disconnecting on-load switch, with auxiliary early break contact – capacity 2.5 mm<sup>2</sup> (0.004 in<sup>2</sup>) maximum.
- Plug is mechanically locked in socket when switch is "ON".
- Switch operating handle can be padlocked in "OFF" position (max 4 padlocks).
- Plug cannot be inserted or removed unless switch is in "OFF" position.

### Standard Materials

- Socket: 316L stainless steel
- Flap cover and plug: polyamide

### ATEX Certifications and Compliances

- Certification Type PC125X
  - Gas: Zones 1 and 2
    - Conforming to ATEX 94/9/CE: II 2 G
    - Type of Protection: Ex de IIC
    - Temperature Class: T6 for Ta ≤ +40 °C (+104 °F) and T5 for +55 °C (+131 °F)
  - Dust: Zones 21 and 22
    - Conforming to ATEX 94/9/CE: II 2 D
    - Type of Protection: Ex tD A21
    - Surface Temperature: T90 °C (T194 °F)
- Ambient Temperature: -30 °C to +55 °C (-22 °F to +131 °F)
- Index of Protection according EN/IEC 60529: IP66
- Impact Resistance (shock): IK10
- CE Declaration of Conformity: 50218
- ATEX Certificate: LCIE 99 ATEX 6031

### EURASEC Certification

- EURASEC N° TC RU C-FR.Г505.В.00910

### Other Certification

- INMETRO Certificate: BVC11.0596 ①



Plug



Wall Mounting Socket

① INMETRO certification available on special request only. Contact your local sales representative for more information.

# ATX™ PRE Series 125 Amp Plugs and Sockets

## Increased Safety

**ATEX:**  
**Zone 1 and 2 - 21 and 22**  
 II 2 GD  
 IP66 - IK10



**Wall Mounting Socket**

- One M63 cable gland for unarmored cable – Ø 36 to Ø 44 mm (Ø 1.42 to Ø 1.73”) and one M25 blanking plug.
- Terminal capacity 120 mm<sup>2</sup> (0.186in<sup>2</sup>).



**Plug**

- One integrated cable entry for unarmored flexible cable – Ø 30 to Ø 48 mm (Ø 1.18 to Ø 1.89”).
- Terminals capacity 50 mm<sup>2</sup> (0.078in<sup>2</sup>).

160 Amps		
<b>Main Contacts</b>		
Rated Insulation Voltage	690 Vac	
Rated Operating Voltage	690 Vac	
Rated Operating Current	125 Amp	
Rated Surge Voltage	8 KV	
<b>Switching Capacity</b>		
AC 21 A / AC 22 A	125 Amp	400 Volt to 690 Volt
AC 23 A	80 kW	400 Volt
	110 kW	500 Volt
	55 kW	690 Volt
AC 3	90 kW	400 Volt
	70 kW	500 Volt
DC 21	125 Amp	220 Volt ①
	125 Amp	440 Volt ①
DC 22	125 Amp	220 Volt ①
	100 Amp	440 Volt ①
DC 23	125 Amp	220 Volt ①
	63 Amp	440 Volt ①
<b>Auxiliary Contacts</b>		
Rated Insulation Voltage	230 Volt	
Rated Operating Voltage	230 Volt	
Rated Operating Current	10 Amp	
Switching Capacity: AC 15	6 Amp	230 Volt
<b>Others</b>		
Termination (flexible/solid)	120 mm <sup>2</sup> (0.007 in <sup>2</sup> )	

① 2 contacts connected in series per pole.

PLUGS AND RECEPTACLES: ATEX/IECEX INCREASED SAFETY

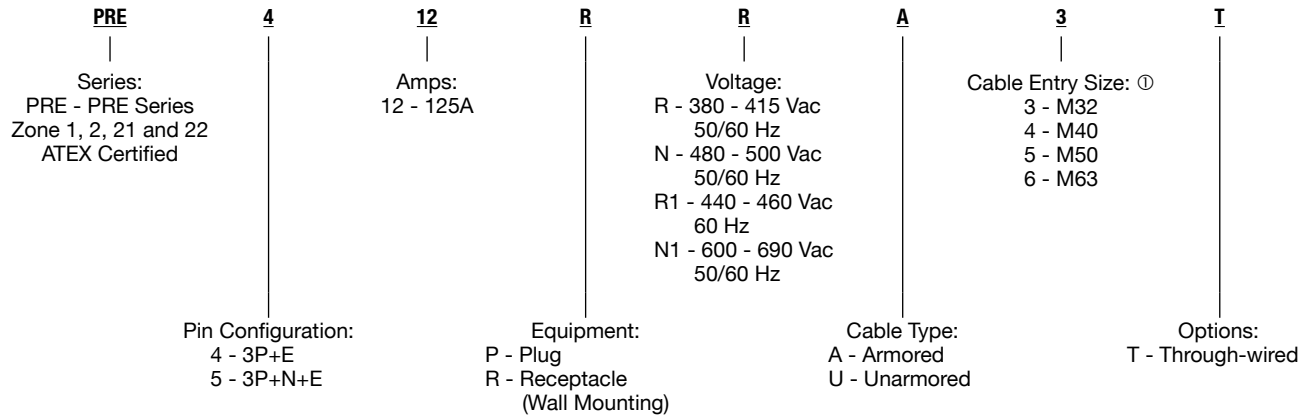
Appleton

# ATX™ PRE Series 125 Amp Plugs and Sockets

Increased Safety

ATEX:  
 Zone 1 and 2 - 21 and 22  
 II 2 GD  
 IP66 - IK10

## Catalog Numbering Guide – IECEx Internationally Certified Plugs and Receptacles



### LV: Low Voltage

Red	Black	Red 1	Black 1
380/415 Vac	480/500 Vac	440/460 Vac	600/690 Vac

PLUGS AND RECEPTACLES: ATEX/IECEx INCREASED SAFETY



① With one M25 plugged entry.

# ATX™ PRE Series 125 Amp Plugs and Sockets

## Increased Safety

ATEX:  
 Zone 1 and 2 - 21 and 22  
 II 2 GD  
 IP66 - IK10

Description	Pin Configuration	Weight kg (lb)	Volume dm <sup>3</sup> (in <sup>3</sup> )	Catalog Number
<b>380/415 Vac 50/60Hz – Red</b>				
Wall Socket		16.0 (0.63)	70.0 (4271.66)	<b>PRE412RRU6</b>
Plug		1.1 (0.04)	13.0 (793.31)	<b>PRE412PR</b>
Wall Socket		16.0 (0.63)	70.0 (4271.66)	<b>PRE512RRU6</b>
Plug		1.1 (0.04)	13.0 (793.31)	<b>PRE512PR</b>
(1) 200/346 V – 240/415 Vac 50/60 Hz				
<b>440/460 Vac 60 Hz – Red</b>				
Wall Socket		16.0 (0.63)	70.0 (4271.66)	<b>PRE412RR1U6</b>
Plug		1.1 (0.04)	13.0 (793.31)	<b>PRE412PR1</b>
Wall Socket		16.0 (0.63)	70.0 (4271.66)	<b>PRE512RR1U6</b>
Plug		1.1 (0.04)	13.0 (793.31)	<b>PRE512PR1</b>
(2) 250/440 V – 265/460 Vac 60 Hz				
<b>480/500 Vac 50/60 Hz – Black</b>				
Wall Socket		16.0 (0.63)	70.0 (4271.66)	<b>PRE412RNU6</b>
Plug		1.1 (0.04)	13.0 (793.31)	<b>PRE412PN</b>
Wall Socket		16.0 (0.63)	70.0 (4271.66)	<b>PRE512RNU6</b>
Plug		1.1 (0.04)	13.0 (793.31)	<b>PRE512PN</b>
(3) 277/480 V – 288/500 Vac 50/60 Hz				
<b>600/690 Vac 50/60 Hz – Black</b>				
Wall Socket		16.0 (0.63)	70.0 (4271.66)	<b>PRE412RN1U6</b>
Plug		1.1 (0.04)	13.0 (793.31)	<b>PRE412PN1</b>
Wall Socket		16.0 (0.63)	70.0 (4271.66)	<b>PRE512RN1U6</b>
Plug		1.1 (0.04)	13.0 (793.31)	<b>PRE512PN1</b>
(4) 347/600 V – 400/690 Vac 50/60 Hz				

PLUGS AND RECEPTACLES: ATEX/IEC/EX INCREASED SAFETY



# ATX™ PRE Series 125 Amp Plug and Socket

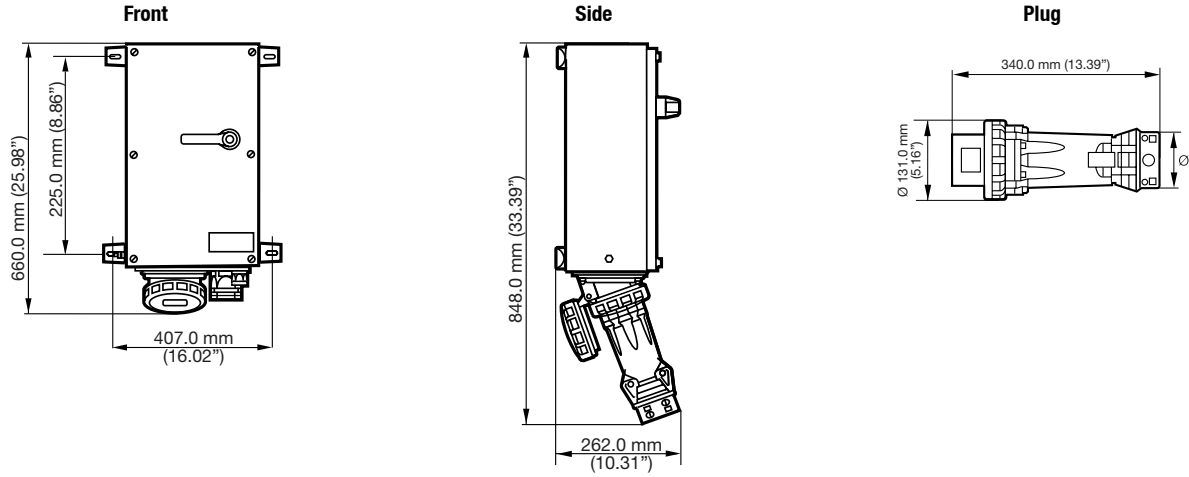
## Increased Safety

ATEX:  
 Zone 1 and 2 - 21 and 22  
 II 2 GD  
 IP66 - IK10

---

### Dimensions in Millimeters (Inches)

---



PLUGS AND RECEPTACLES: ATEX/IECEX INCREASED SAFETY

